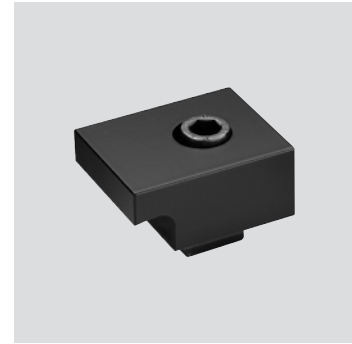
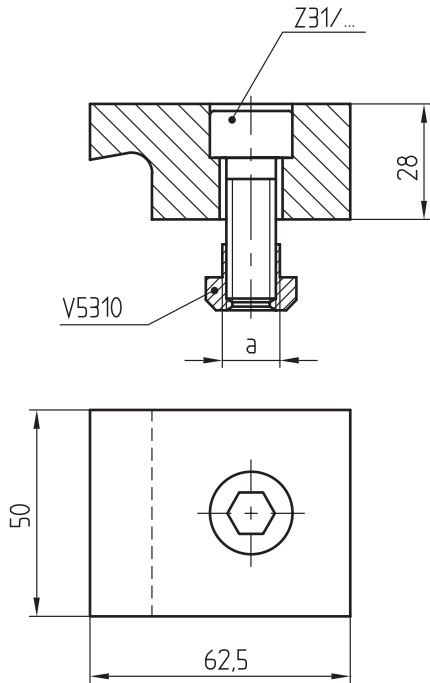


V6850/...

Mat.: 1.7225 / 1000 N/mm<sup>2</sup>

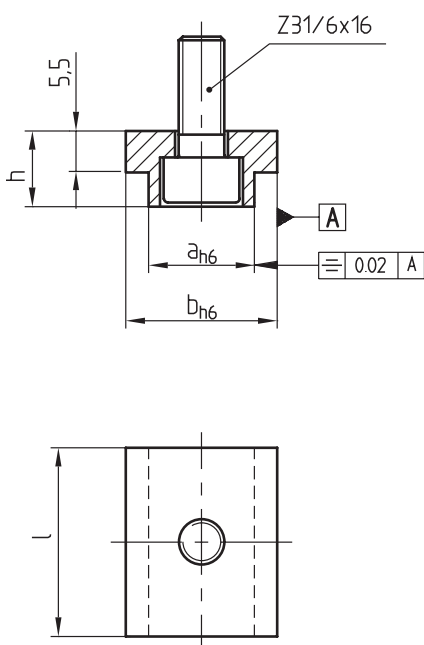


► Info

Z31/...	a	Nr./No.
12x35	14	V6850/14
16x40	18	18
20x40	22	22

V6855/...

Mat.: 1.7131 / 58 ± 2 HRC



► Info

h	l	b	a	Nr./No.
10	25	20	14	V6855/14
			18	18
12	32		22	22

This is trial version  
www.adultpdf.com